

TEMPERATURE SENSORS SELECTION GUIDE

Housing	Style	Features	Applications	Page
	<p>TS Series The TS400/500 temperature sensors are robust stainless steel sensors for Pt-100 RTDs.</p>	<ul style="list-style-type: none"> ■ High accuracy ■ Rotatable housing ■ IP67 ■ -50 to 500°C (-58 to 932°F) ■ PNP/NPN programmable ■ Wide range of configurations with TP probes 	<ul style="list-style-type: none"> ■ Food and beverage ■ Hydraulics ■ Cooling lines ■ Plastics ■ Pharmaceutical ■ Metal forming ■ Oils 	D3
	<p>TT Series Available with remote or integral probes, this is an economical temperature transmitter for OEM applications.</p>	<ul style="list-style-type: none"> ■ 4-20 mA Analog transmitter ■ -200 to 850°C ■ IP67 ■ Works with TP probes 	<ul style="list-style-type: none"> ■ OEM ■ Food and beverage ■ Hydraulics ■ Cooling lines ■ Plastics 	D7
	<p>TTM Series Miniature temperature transmitters come pre-scaled so there is no need for adjustment.</p>	<ul style="list-style-type: none"> ■ 4 standard ranges: -5 to 50°C 0 to 100°C -50 to 150°C 0 to 150°C ■ 4-20 mA output 	<ul style="list-style-type: none"> ■ OEM ■ Hydraulics ■ Food and beverage ■ Oils 	D8
	<p>TP Temperature Probes TP probes are platinum four-wire resistance temperature detectors (RTD).</p>	<ul style="list-style-type: none"> ■ PT 100 RTDs ■ 4-wire ■ Variety of styles and lengths 	<ul style="list-style-type: none"> ■ TS series ■ TT series ■ IM 34 with cordset 	D13
	<p>Process Connections Compression fittings or thermowells are necessary for probe installation.</p>	<ul style="list-style-type: none"> ■ Stainless Steel ■ NPT threads ■ Tri-clamp fitting 	<ul style="list-style-type: none"> ■ TP series probes 	D17
	<p>IM34 Temperature Converters The IM34 will convert a 2, 3 or 4-wire RTD, thermocouple or mV signal to an analog 4-20 mA signal in a non-hazardous area.</p>	<ul style="list-style-type: none"> ■ Input: RTD or thermocouples ■ Output: 4-20 mA ■ Display model ■ Relay and transistor outputs ■ PACTware compatible models 	<ul style="list-style-type: none"> ■ Hazardous areas 	D21

TEMPERATURE SENSORS PRODUCT OVERVIEW

WHAT ARE TURCK TEMPERATURE INSTRUMENTS?

TURCK's temperature instruments utilize platinum resistance temperature detectors (RTDs), commonly referred to as a Pt-100 technology. Pt-100's contain a platinum wire that is wrapped around a core or patterned as a thin film on a substrate so that it experiences minimal differential expansion or other strains. As the temperature changes, the controller measures the change in the electrical resistance of the platinum wire. The resistance experienced by the sensor is proportional to the temperature changes being experienced by the media being sensed. Specifically, the hotter the wire becomes, the higher the value of electrical resistance. They require a small power source in order to measure resistance.

WHY CHOOSE TURCK TEMPERATURE INSTRUMENTS?

- Pt-100 technology is known to be highly precise, repeatable, and provide extremely short response times.
- Pt-100 RTDs have a nominal resistance of 100 ohms at 0°C with an accuracy of 0.4°C at 50°C. The sensor's operating range varies from -50 to 500°C (-58 to 932°F).
- Miniature transmitters that provide an analog signal directly from a M12 *eurofast*® connector.
- Robust internal and external design features; some models rated for IP67 protection.
- Easy to program and maintain.
- Remote or direct mounting; variety of probe lengths up to 2 meters; thermowells, compression fittings,



WHERE CAN I USE TURCK TEMPERATURE INSTRUMENTS?

- Food and beverage
- Hydraulic temperature
- Cooling lines
- Pharmaceutical
- Metal forming



TEMPERATURE SENSORS – TS400 & TS500

PRODUCT OVERVIEW

WHAT ARE THE TS400 AND TS500 SENSORS?

Robust Pt-100 RTD sensors designed to handle harsh manufacturing environments.



WHY CHOOSE TS400 AND TS500 SENSORS?

- Simple push-button programming includes a recessed button that stores selected values and helps prevent inadvertently changing parameters.
- Large LED display that can be inverted electronically; the TS500 version can be rotated 320 degrees.
- Versions with multiple outputs available; displays output in °C, °F, K and ohms.
- Does not require regular maintenance calibration.
- High immunity to electromagnetic interference.
- Robust stainless steel housing that provides an IP67 environmental protection rating.
- Remote or direct mountable; compatible with 4-wire probes
- Housing design permits sensors to be mounted directly next to each other or in restrictive places.
- 4-pin M12 *euromat*® connection promotes easy integration in existing applications.

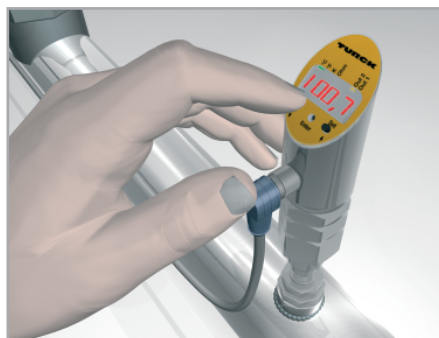
WHERE CAN I USE TS400 AND TS500 SENSORS?

- May be implemented in nearly all factory or process automation applications.
- Food and beverage
- Cooling lines
- Bearing temperature

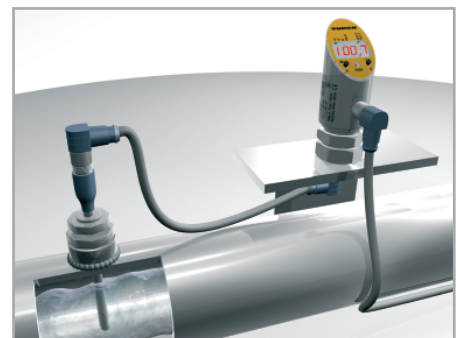
How to Order TS400 and TS500 Sensors and Accessories

1. Determine your desired output and select the TS model that meets your needs.
2. Select the appropriate probe for your application.
 - a) Questions? Call applications support at 1-800-554-7769.
3. Choose remote or direct mounting.
 - a) For direct mounting use the TP-206, order the stabilizer (STA-6) for applications with vibration.
 - b) For remote mounting, order a mating cordset (RK 4.4T-* -RS 4.4T).
4. Select a process connection.
 - a) For thermowells, order one length (50 mm) shorter than the length of probe you selected in step 2.
 - b) If no thermowell is selected, a compression fitting is needed for mounting the probe.

* Length in meters.



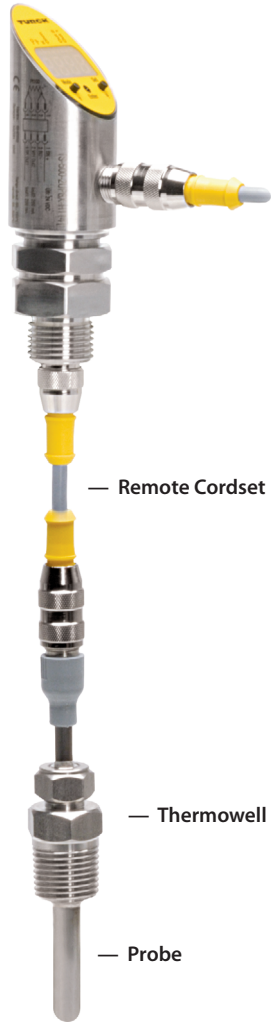
Direct Mounting



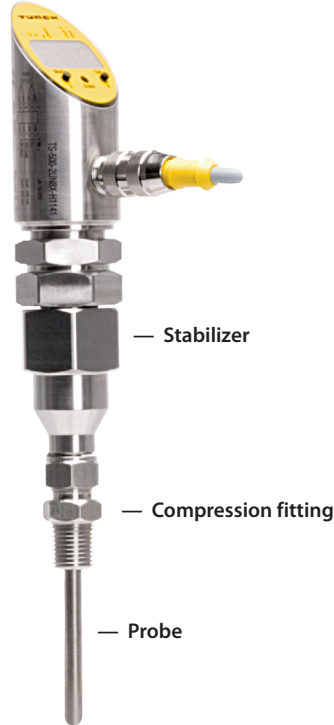
Remote Mounting

Complete Installation Guide

Remote Mounting Sensor



Direct Mounting Sensor



Accessories



Stabilizer
TP-206A..



Remote Cordset
RK 4.4T-* -RS 4.4T

Probe Options



TP-104A..



TP-203A.. or TP-206A..



TP-306A..

Process Connection Options



Compression Fitting (CF)



Thermowell
THW...TRI



Thermowell
THW...N

TS400/TS500 Temperature Sensor Part Number Key

TS - 400 - LI 2U PN 8 X - H1141

Style

TS = temperature sensors

Housing

400 = adjustable, with display, non-rotatable
500 = adjustable, with display, rotatable

Analog output

LI = current analog output
LU = voltage analog output

Switching output

2U = 2 x programmable N.O./N.C. mode
U = 1 x programmable N.O./N.C. mode

Connection

H1141 = 4-pin M12 *eurofast*® connector

With LED display

Operational voltage

8 = 15-30 VDC (switching outputs)
8 = 18-30 VDC (switching and analog outputs)

Output logic

PN = PNP/NPN configurable transistor switching output

TURCK

Temperature Instrumentation

TS 400/500 Programmable Temperature

- -50 to +500 °C Range
- IP67
- Digital Display



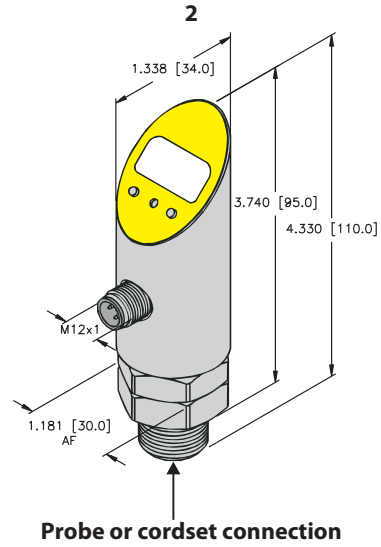
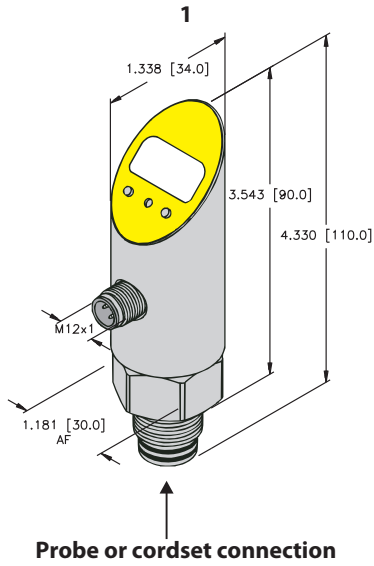
Part Number	Measuring Range (°C)	Operating Voltage	Output	Wiring	Drawing
TS-400-LI2UPN8X-H1141	-50-500	18-30 VDC	Analog Current & 1 PNP/NPN switch point	3	1
TS-400-LUUPN8X-H1141	-50-500	18-30 VDC	Analog Voltage & 1 PNP/NPN switch point	2	1
TS-400-2UPN8X-H1141	-50-500	15-30 VDC	2 PNP/NPN switch points	1	1
TS-500-LI2UPN8X-H1141	-50-500	18-30 VDC	Analog Current & 1 PNP/NPN switch point	3	2
TS-500-LUUPN8X-H1141	-50-500	18-30 VDC	Analog Voltage & 1 PNP/NPN switch point	2	2
TS-500-2UPN8X-H1141	-50-500	15-30 VDC	2 PNP/NPN switch points	1	2

Specifications:	
Electrical	
Operating Voltage	15-30 VDC (switching output) 18-30 VDC (switching and analog output)
No-load current	≤50 mA
SELV. PELV.	According to EN 50178
Short-circuit Protection	Yes
Reverse Polarity Protection	Yes
Insulation Class	III
Switching Output	
Switching Frequency	≤180 Hz
Output function	2 x PNP or NPN, N.C. /N.O. programmable
Voltage Drop	≤2 V
Rated Operational Current	0.2 A
Switching Point Distance	0.2 °C
Switch Point Range	-49.8 to +500 °C (-58 to +932 °F)
Reset Point Range	-50 to +499.8 °C (-58 to +932 °F)
Analog Current Output	
Current Output	4-20 mA, 0-20 mA, 20-4 mA, 20-0 mA programmable
Response Time	<100 ms
Load	≤0.5 kΩ
Analog Voltage Output	
Voltage Output	0-10 V
Response Time	<100 ms
Load	≤2 kΩ
Temperature Sensor Accuracy	
Switching Point Accuracy	≤ ± 0.2 °C
Repetition Accuracy	≤ ± 0.1 °C
Analog Output Accuracy (Lin. + Hys. + Rep.)	≤ ± 0.2 °C
Temperature Sensor Housing	
Housing Material	Stainless Steel/Plastic, V2A (1.4305)
Electrical Connection	Connectors, M12x1
Sensor Connection	Connectors, M12x1
Coupling Nut Size	SW 30 (max. 35Nm)

Specifications:	
Display:	
Temperature Display	4-digit 7-segment display can be rotated by 180° and switched off
Switch State Display	2 x LED yellow
Measured Value/Programming	Switch/release points; hysteresis/window mode; N.O./N.C.; unit of display; peak value memory
Display of Temperature Unit	4 x LED green (°C, °F, K, Ω)
EMC:	
EN 61000-4-2	ESD 4 kV CD / 8 kV AD
EN 61000-4-3	HF radiated: 15 V/m2
EN 61000-4-4	Burst 2 kV
EN 61000-4-5	Surge 1 kV, 42 Ω
EN 61000-4-6	HF conducted: 10 V
Ambient Conditions:	
Medium Temperature	Directly connected: -50 to +150°C; Remotely connected: -50 to +150°C
Ambient Temperature	-40° to +80°C (-40° to +176°F)
Storage Temperature	-40° to +80°C (-40° to +176°F)
Degree of Protection	IP67
Vibration Resistance	20 g (10-2000 Hz) according to IEC 68-2-6
Shock Resistance	50 x g (11 ms) according to IEC 68-2-27

Temperature Instrumentation

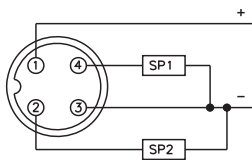
Drawings



TEMPERATURE

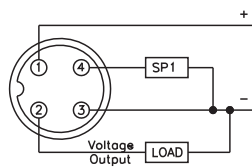
Wiring Diagrams

Diagram 1



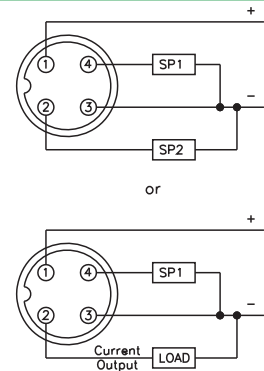
Mating cordset:
RK 4.4T-*

Diagram 2



Mating cordset:
RK 4.4T-*

Diagram 3



Mating cordset:
RK 4.4T-*

TEMPERATURE TRANSMITTERS

PRODUCT OVERVIEW

WHAT ARE TURCK'S TEMPERATURE TRANSMITTERS?

TURCK temperature transmitters are platinum resistance temperature detectors (RTD's), otherwise known as Pt-100's.

WHY CHOOSE TURCK'S TEMPERATURE TRANSMITTERS?

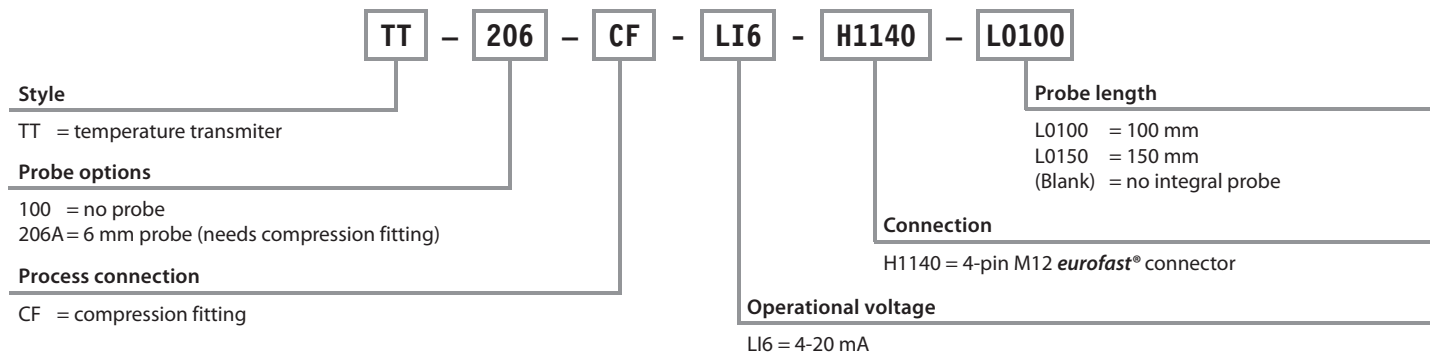
- The transmitter's operating range is set at 0-150°C, but other ranges can be achieved by contacting the factory.
- Models are available with or without integral probes, and are compatible with TURCK's TP-Series of probes.
- Rugged 316 stainless steel housing provides an IP67 protection rating.

WHERE CAN I USE TURCK'S TEMPERATURE TRANSMITTERS?

- OEM applications
- Food and beverage
- Hydraulics
- Oils



Temperature Transmitter for PT-100 RTDs Part Number Key



MINIATURE TEMPERATURE TRANSMITTERS PRODUCT OVERVIEW

WHAT ARE MINIATURE TEMPERATURE TRANSMITTERS?

Miniature temperature transmitters that include an integrated M12 connection. The transmitters utilize the same Pt-100 technology as TURCK's other temperature products with a pre-scaled 4-20 mA output.

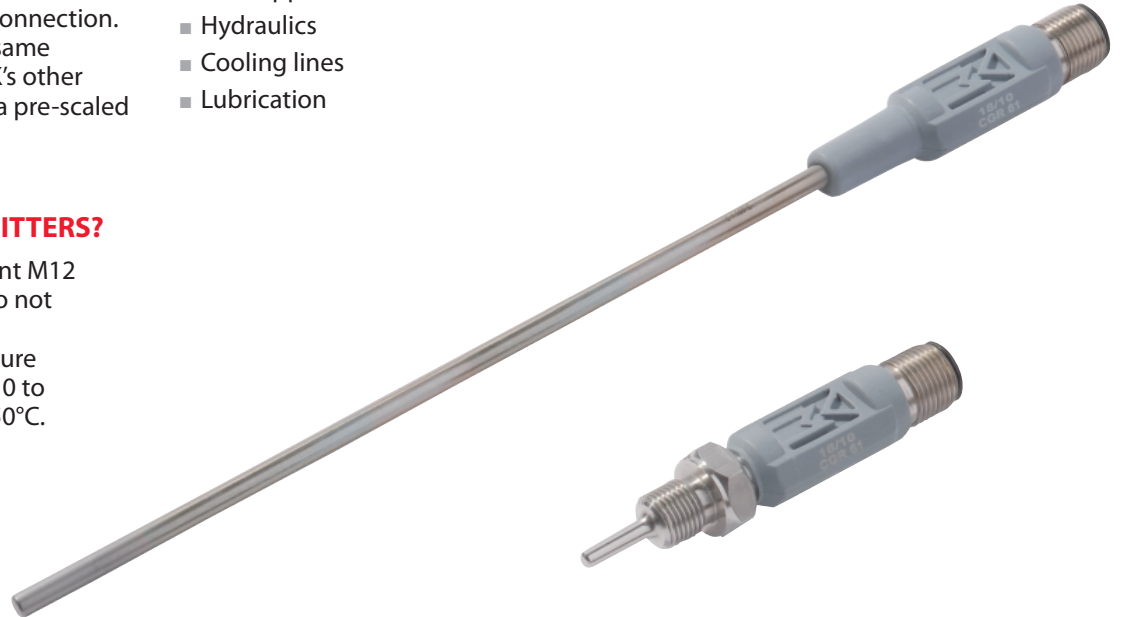
WHY CHOOSE TURCK'S TEMPERATURE TRANSMITTERS?

The probes have a convenient M12 **eurofast**® connection and do not require special cables.

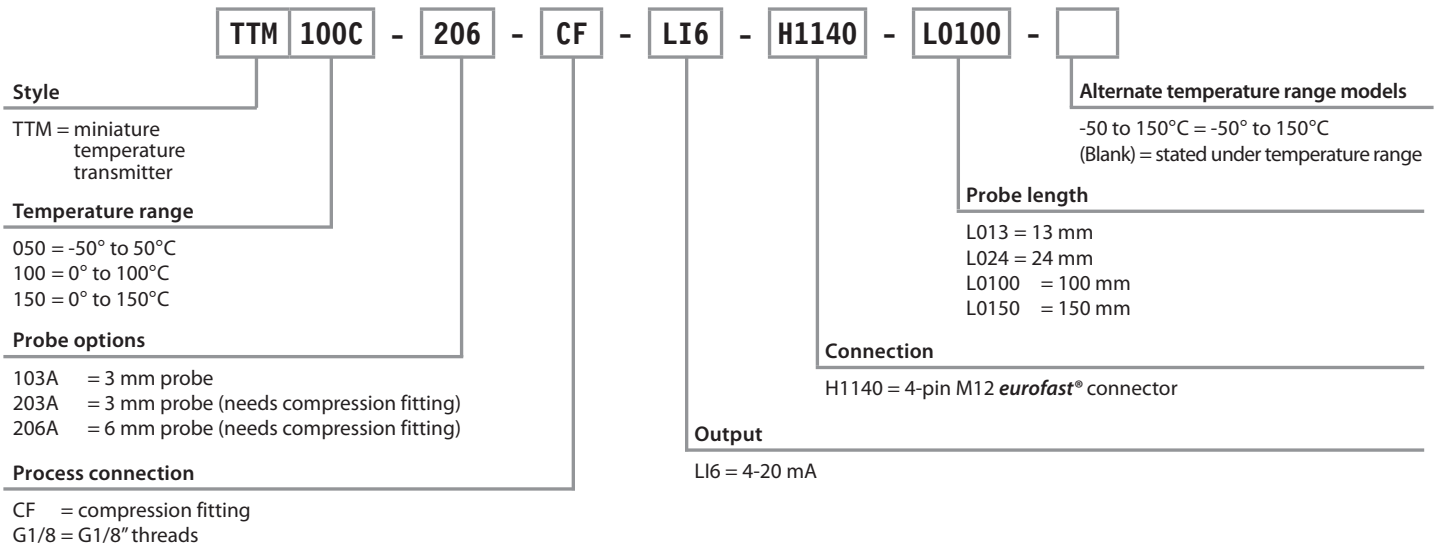
- Available in four temperature ranges: 0-100°C, -50-50°C, 0 to 150 degrees°C, and -50-150°C.

WHERE CAN I USE TURCK'S TEMPERATURE TRANSMITTERS?

- OEM applications
- Hydraulics
- Cooling lines
- Lubrication



Miniature Temperature Transmitter Part Number Key



TURCK

Temperature Instrumentation

Temperature Transmitters

- Available with Integral Probe
- Other Ranges can be Factory Set



Part Number	Range	Analog Load	Probe Length (mm)	Wiring	Drawing
TT-100-LI6-H1140	0° to 150°C (32° to 302°F) Factory Set*	1.2 kΩ	N/A	1	1
TT-206A-CF-LI6-H1140-L0100	0° to 150°C (32° to 302°F) Factory Set*	1.2 kΩ	100	1	2
TT-206A-CF-LI6-H1140-L0150	0° to 150°C (32° to 302°F) Factory Set*	1.2 kΩ	150	1	2

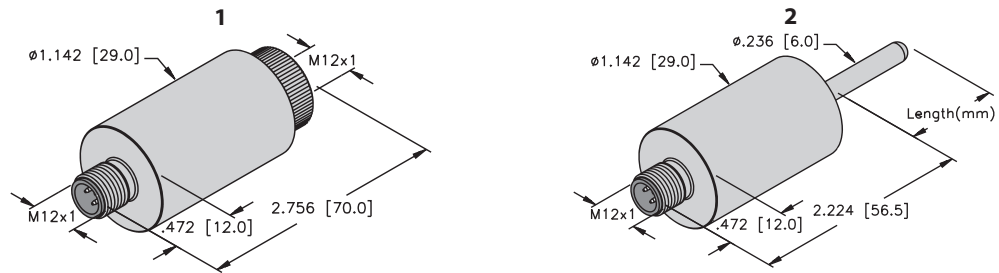
* Other ranges can be obtained by contacting the factory.
/S1792 = 0-150°F

Specifications:

Electrical	
Range	-200 to 850°C
Supply Voltage	8-35 VDC
Signal Range	4-20 mA
Update Time	135 ms
Max Load Resistance	(Vsupply-8V)/.023Ω
Environmental	
Ambient Temperature	-40° to +85°C (-40° to +185°F)
Protection	IP67
Accuracy	
Accuracy	±.3°C/°C or ≤ ±.1% of span
Temperature Effects	±.01°C/°C or ≤ ±.01% of span
EMC Effects	±0.5% of span
Housing	
Housing Material	Stainless Steel AISI 316
Electrical Connection	M12

Temperature Instrumentation

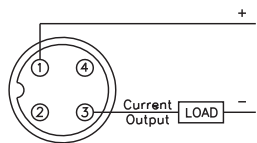
Drawings



TEMPERATURE

Wiring Diagram

Diagram 1



Mating cordset:
RK 4.22T-*

TURCK

Temperature Instrumentation

TTM - Miniature Temperature Transmitters

- 4-20 mA output
- Two wire loop power
- IP67



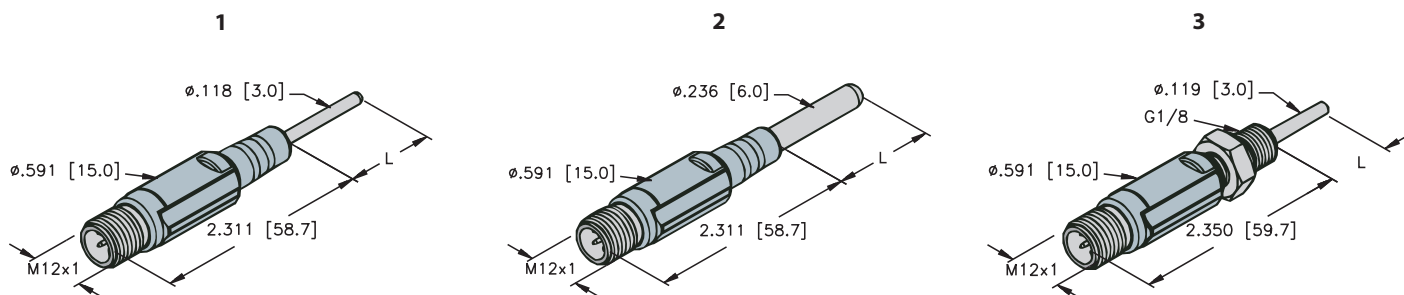
Part Number	Temperature Range (°C)	Process Connection	Probe Length (mm)	Drawing
TTM100C-203A-CF-LI6-H1140-L100	0-100	Compression Fitting	100	1
TTM150C-203A-CF-LI6-H1140-L100	0-150	Compression Fitting	100	1
TTM150C-203A-CF-LI6-H1140-L100-50...150°C	-50-150	Compression Fitting	100	1
TTM050C-203A-CF-LI6-H1140-L100-50...50°C	-50-50	Compression Fitting	100	1
TTM100C-206A-CF-LI6-H1140-L100	0-100	Compression Fitting	100	2
TTM150C-206A-CF-LI6-H1140-L100	0-150	Compression Fitting	100	2
TTM150C-206A-CF-LI6-H1140-L100-50...150°C	-50-150	Compression Fitting	100	2
TTM050C-206A-CF-LI6-H1140-L100-50...50°C	-50-50	Compression Fitting	100	2
TTM100C-203A-CF-LI6-H1140-L150	0-100	Compression Fitting	150	1
TTM150C-203A-CF-LI6-H1140-L150	0-150	Compression Fitting	150	1
TTM150C-203A-CF-LI6-H1140-L150-50...150°C	-50-150	Compression Fitting	150	1
TTM050C-203A-CF-LI6-H1140-L150-50...50°C	-50-50	Compression Fitting	150	1
TTM100C-206A-CF-LI6-H1140-L150	0-100	Compression Fitting	150	2
TTM150C-206A-CF-LI6-H1140-L150	0-150	Compression Fitting	150	2
TTM150C-206A-CF-LI6-H1140-L150-50...150°C	-50-150	Compression Fitting	150	2
TTM050C-206A-CF-LI6-H1140-L150-50...50°C	-50-50	Compression Fitting	150	2
TTM100C-103A-G1/8-LI6-H1140-L013	0-100	G 1/8"	13	3
TTM050C-103A-G1/8-LI6-H1140-L013-50...50°C	-50-50	G 1/8"	13	3
TTM100C-103A-G1/8-LI6-H1140-L024	0-100	G 1/8"	24	3
TTM050C-103A-G1/8-LI6-H1140-L024-50...50°C	-50-50	G 1/8"	24	3

Temperature Instrumentation

Specifications

Electrical	
Operating Voltage	10-24 VDC
No-load current	≤20 mA
Current Output	4-20 mA
Short-circuit Protection	Yes
Reverse Polarity Protection	Yes
Environmental	
Accuracy (Lin. + Hys. + Rep.)	< ± 0.1% of final value BFSL
Accuracy	Class A
Ambient Temperature	-40 to +80 °C
Storage Temperature	-40 to +80 °C
Measuring Element	Pt-1000 Platinum measuring element DIN EN 60751
Mechanical	
Sensor Material	Stainless Steel, AISI 316L
Pressure Resistance	100 bar
Electrical Connection	Connectors, M12x1

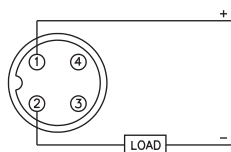
Drawings



L = Probe length, see table on previous page.

Wiring Diagram

Wiring Diagram



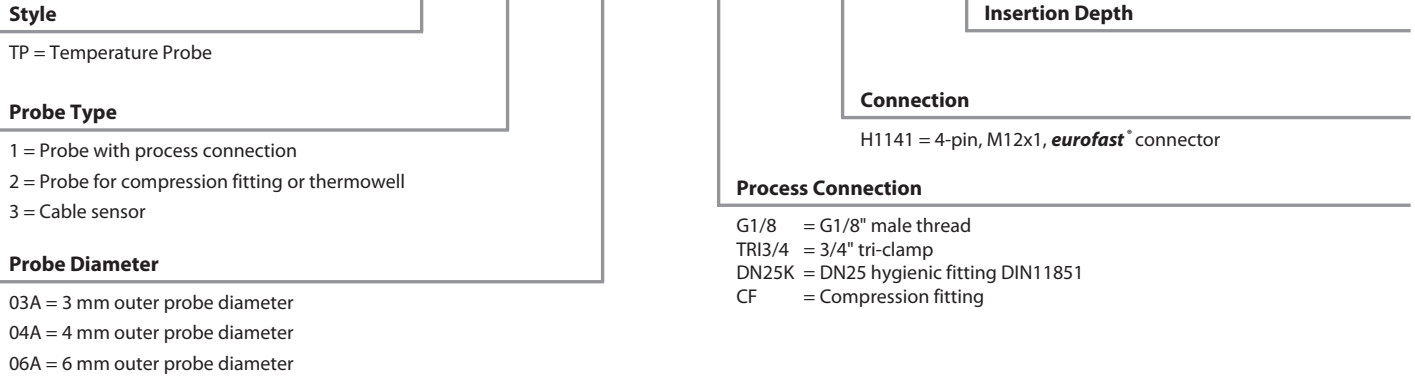
Mating cordset:
RK 4.4T-*

TURCK

Temperature Instrumentation

Temperature Probes Part Number Key

TP - 1 - 03A - G1/8 - H1141 - L013



Temperature Probes Specifications

Probe TP-104A ...

Specifications:	
Temperature Operating Range	-50° to 120°C (-58° to +248°F)
Ambient Temperature	-20° to 90°C (-4° to +194°F)
Measuring Element	Pt100, DIN EN 60751, Class A
Response Time	$t_{0.5} = 3 \text{ s}$; $t_{0.9} = 10 \text{ s}$ in water at 0.2 m/s
Output Function	4-wire
Reverse Polarity Protection	Yes
Degree of Protection	IP67
Housing Material	Plastic/Stainless steel
Sensor Material	Stainless steel 1.4404 (AISI 316L)
Pressure Rating (PSI)	580.15
Connection	Connector, M12x1 (<i>eurofast</i>)
Mechanical Connection	Tri-Clamp 3/4"



Temperature Instrumentation

Temperature Probes Specifications

Probes TP-203 .../TP-206 ...

Specifications:	
Temperature Operating Range	-30° to +500°C (-22° to 932°F) ≤350°C accuracy class A (662°F) ≥350°C accuracy class B (662°F)
Ambient Temperature	-40° to 90°C (-4° to +194°F)
Measuring Element	Pt100, DIN EN 60751, Class A
Response Time	203: $t_{0.5} = 1.5$ s; $t_{0.9} = 6$ s 206: $t_{0.5} = 6$ s; $t_{0.9} = 15$ s
Output Function	4-wire
Reverse Polarity Protection	Yes
Degree of Protection	IP67
Housing Material	Stainless steel/plastic
Sensor Material	Stainless steel 1.4404 (AISI 316L) mineral insulated
Pressure Rating (psi)	1450
Connection	Connector, M12x1 (euromast)
Mechanical Connection	Use a compression fitting or thermowell



TEMPERATURE

Probe TP-306 ...

Specifications:	
Temperature Operating Range	-50° to +105°C (-58° to +221°F)
Ambient Temperature	-20° to 90°C (-4° to +194°F)
Measuring Element	Pt100, DIN EN 60751, Class A
Response Time	$t_{0.5} = 8$ s; $t_{0.9} = 20$ s in water at 0.2 m/s
Output Function	4-wire
Reverse Polarity Protection	Yes
Degree of Protection	IP67
Housing Material	Plastic/Stainless steel
Cable	TPE (thermoplastic elastomer)
Sensor Material	Stainless steel 1.4404 (AISI 316L)
Pressure Rating (psi)	217
Connection	Connector, M12x1 (euromast)
Mechanical Connection	Use a compression fitting





Temperature Probes

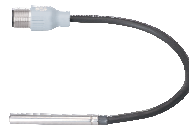
Housing Style	Part Number	ID Number	Temperature Range	Length (mm)
Pt100 Temperature Probe, 3/4" Tri-Clamp, Ø8 mm 	TP-104A-TRI3/4-H1141-L035	M9910429	-50° to +120°C (-58° to +248°F)	35
	TP-104A-TRI3/4-H1141-L100	M9910430		100
Pt100 Temperature Probe, Ø3 mm 	TP-203A-CF-H1141-L100	M9910402	-30° to +350°C (-22° to +662°F)	100
	TP-203A-CF-H1141-L150	M9910403	-30° to +350°C (-22° to +662°F)	150
	TP-203A-CF-H1141-L200	M9910482	-30° to +350°C (-22° to +662°F)	200
	TP-203A-CF-H1141-L250	M9910404	-30° to +350°C (-22° to +662°F)	250
	TP-203A-CF-H1141-L300	M9910474	-30° to +350°C (-22° to +662°F)	300
	TP-203A-CF-H1141-L1000	M9910496	-30° to +350°C (-22° to +662°F)	1000
	TP-203A-CF-H1141-L2000	M9910499	-30° to +350°C (-22° to +662°F)	2000
Pt100 Temperature Probe, Ø6 mm 	TP-206A-CF-H1141-L100	M9910475	-30° to +350°C (-22° to +662°F)	100
	TP-206A-CF-H1141-L150	M9910476	-30° to +350°C (-22° to +662°F)	150
	TP-206A-CF-H1141-L200	M9910477	-30° to +350°C (-22° to +662°F)	200
	TP-206A-CF-H1141-L300	M9910478	-30° to +350°C (-22° to +662°F)	300
	TP-206A-CF-H1141-L500	M9910491	-30° to +350°C (-22° to +662°F)	500

Mating cordset for remote connections; RK 4.4T-*/RS 4.4T.

* Length in millimeters.

For technical data see pages C15 - C16.

See Section F for additional cordset information.



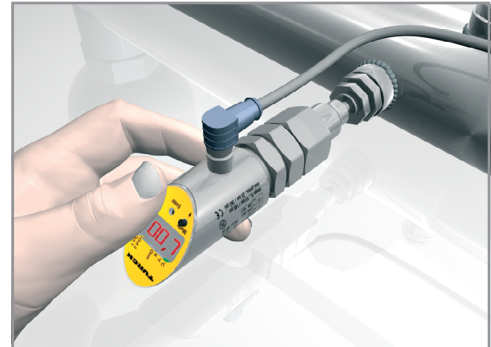
Temperature Probes

Housing Style	Part Number	ID Number	Temperature Range	Length (m)
Pt100 Cable Probe, 4-Pin M12x1 eurofast®, Ø6 mm 	TP-306A-CF-H1141-L1000	M9910479	-50° to +105°C (-58° to +221°F)	1
	TP-306A-CF-H1141-L2000	M9910480		2
	TP-306A-CF-H1141-L5000	M9910481		5

For technical data see page C16.

Rotatable Display

TS400 and TS500 sensors may also be installed horizontally. The display may be electronically inverted 180 degrees by software incorporated within the sensor.



TEMPERATURE



Thermowell Part Number Key

THW - 3 - G1/8 - A4 - L013

Thermowell

Probe Diameter

3 = 3 mm probe diameter
 6 = 6 mm probe diameter

Process Connection

G1/8 = G1/8" male thread
 N1/8 = 1/8" NPT male thread
 G1/4 = G1/4" male thread
 N1/4 = 1/4" NPT male thread
 G1/2 = G1/2" male thread
 N1/2 = 1/2" NPT male thread
 TRI3/4 = 3/4" tri-clamp
 DN25K = DN25 hygienic fitting thread DIN 11851
 UNI25 = Universal weld Ø25 mm

Insertion Depth

Material

A4 = Stainless steel AISI316L



Compression Fittings Part Number Key

CF - M - 3 - G1/8 - A4

Compression Fitting

Compression Ring Material

M = AISI316L
 P = PTFE

Probe Diameter

3 = 3 mm outer diameter
 6 = 6 mm outer diameter

Material

A4 = Stainless steel AISI316L

Process Connection

G1/8 = G1/8" male thread
 N1/8 = 1/8" NPT male thread
 G1/4 = G1/4" male thread
 N1/4 = 1/4" NPT male thread
 N1/2 = 1/2" NPT male thread



Thermowells

Housing Style	Part Number	ID Number	Process Connection	Length (mm)	Compatible Probe Diameter	Pressure Rating (psi)
Thermowell, 1/2" Male NPT 	THW-3-N1/2-A4-L050	M9910447	1/2" NPT	50	3 mm	5800
	THW-3-N1/2-A4-L100	M9910448	1/2" NPT	100	3 mm	5800
	THW-3-N1/2-A4-L150	M9910449	1/2" NPT	150	3 mm	5800
	THW-3-N1/2-A4-L250	M9910450	1/2" NPT	250	3 mm	5800
Thermowell, 1/4" Male NPT 	THW-3-N1/4-A4-L050	M9910416	1/4" NPT	50	3 mm	5800
	THW-3-N1/4-A4-L100	M9910420	1/4" NPT	100	3 mm	5800
	THW-3-N1/4-A4-L150	M9910424	1/4" NPT	150	3 mm	5800
	THW-3-N1/4-A4-L200	M9910428	1/4" NPT	200	3 mm	5800
Thermowell, 1/8" Male NPT 	THW-3-N1/8-A4-L050	M9910414	1/8" NPT	50	3 mm	5800
	THW-3-N1/8-A4-L100	M9910418	1/8" NPT	100	3 mm	5800
	THW-3-N1/8-A4-L150	M9910422	1/8" NPT	150	3 mm	5800
	THW-3-N1/8-A4-L200	M9910426	1/8" NPT	200	3 mm	5800
Thermowell, 3/4" Tri-Clamp 	THW-3-TRI3/4-A4-L035	M9910433	3/4" Tri-Clamp	35	3 mm	580
	THW-3-TRI3/4-A4-L050	M9910451	3/4" Tri-Clamp	50	3 mm	580
	THW-3-TRI3/4-A4-L100	M9910452	3/4" Tri-Clamp	100	3 mm	580
	THW-3-TRI3/4-A4-L150	M9910453	3/4" Tri-Clamp	150	3 mm	580
	THW-3-TRI3/4-A4-L250	M9910454	3/4" Tri-Clamp	250	3 mm	580
Thermowell, Universal Weld 	THW-3-UNI25-A4-L035	M9910502	Weld	35	3 mm	1450
	THW-3-UNI25-A4-L100	M9910503	Weld	100	3 mm	1450

Note: Material is AISI 316L/1.4404

TEMPERATURE



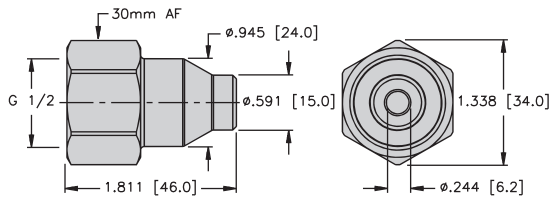
Thermowells

Housing Style	Part Number	ID Number	Process Connection	Length (mm)	Compatible Probe Diameter	Pressure Rating (psi)
Thermowell, 1/2" Male NPT 	THW-6-N1/2-A4-L050	M9910463	1/2" NPT	50	6 mm	5800
	THW-6-N1/2-A4-L100	M9910464	1/2" NPT	100	6 mm	5800
	THW-6-N1/2-A4-L150	M9910465	1/2" NPT	150	6 mm	5800
	THW-6-N1/2-A4-L250	M9910466	1/2" NPT	250	6 mm	5800
Thermowell, 3/4" Tri-Clamp 	THW-6-TRI3/4-A4-L050	M9910467	3/4" Tri-Clamp	50	6 mm	580
	THW-6-TRI3/4-A4-L100	M9910468	3/4" Tri-Clamp	100	6 mm	580
	THW-6-TRI3/4-A4-L150	M9910469	3/4" Tri-Clamp	150	6 mm	580
	THW-6-TRI3/4-A4-L250	M9910470	3/4" Tri-Clamp	250	6 mm	580

Note: Material is AISI 316L/1.4404

Stabilizer Accessories for Direct Mounting

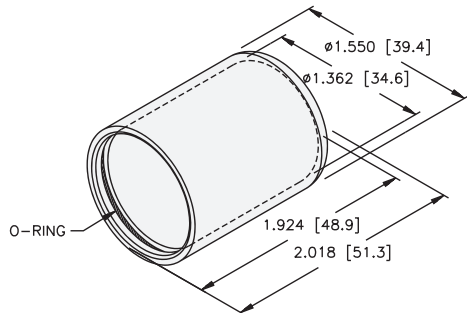
Stabilizer for 6 mm Temperature Probe



STA-6
(M6835023)

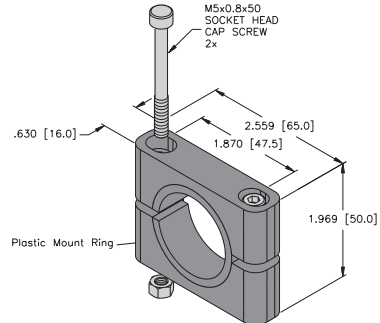
Accessories

Harsh Duty Cover



PTS-COVER
(A9350)

Mounting Bracket



PTS-MB
(A9422)



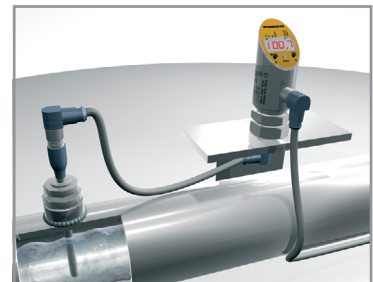
Compression Fittings

Housing Style	Part Number	ID Number	Compatible Probe Diameter	Compression Fitting	Temperature Range	Pressure Rating (psi)
Compression Fitting, 1/4" Male NPT 	CF-M-3-N1/4-A4	M9910408	3 mm	Metal	350°C (662°F)	580
	CF-P-3-N1/4-A4	M9910412	3 mm	PTFE	100°C (212°F)	87
Compression Fitting, 1/8" Male NPT 	CF-M-3-N1/8-A4	M9910406	3 mm	Metal	350°C (662°F)	580
	CF-P-3-N1/8-A4	M9910410	3 mm	PTFE	100°C (212°F)	87
Compression Fitting, 1/4" Male NPT 	CF-M-6-N1/4-A4	M9910484	6 mm	Metal	350°C (662°F)	580
	CF-P-6-N1/4-A4	M9910486	6 mm	PTFE	100°C (212°F)	87
Compression Fitting, 1/2" Male NPT 	CF-M-6-N1/2-A4	A0950	6 mm	Metal	350°C (662°F)	580

Note: Material is AISI 316L/1.4404

Mounts in Compact Spaces

With a housing diameter of 34 mm, multiple temperature sensors can fit in tight spaces.



TEMPERATURE